

# S3010E

## SELF-PROPELLED MINI SCISSOR



- Self-propelled electric mini scissor
- Saloon style entry gates as standard
- Zero inside turning radius, skid steer
- Ideal for low level internal applications
- Non-marking tires & casters

 **snorkel**<sup>™</sup>  
[www.snorkellifts.com](http://www.snorkellifts.com)

# SELF-PROPELLED MINI SCISSOR

# S3010E

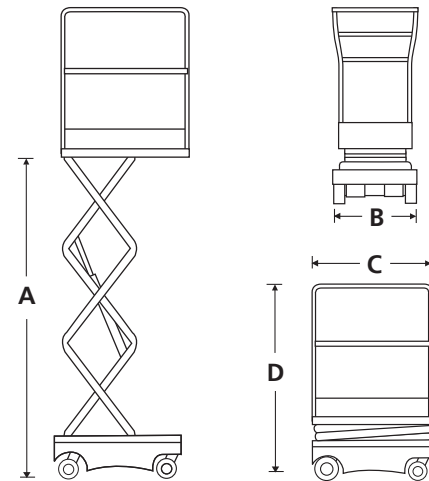
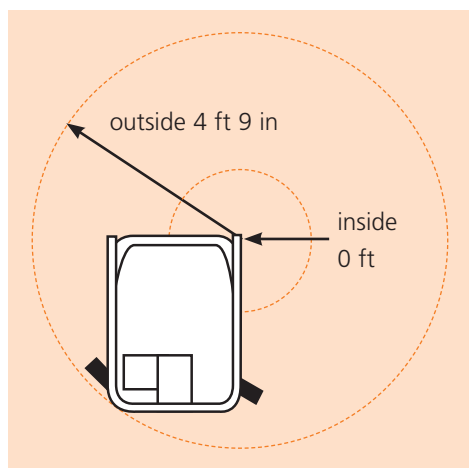
DIMENSIONS	S3010E
Max. working height	15 ft 11 in
Max. platform height (A)	9 ft 11 in
Platform size	43 in x 20 in
Overall width (B)	30.3 in
Overall length (C)	49.6 in
Stowed height (D)	5 ft 11 in
Ground clearance	2.3 in

PERFORMANCE	
Platform capacity (SWL)	500 lbs
Max. wind speed	0 mph
Max. drive height	9 ft 11 in
Max. drive speed (stowed)	2.2 mph
Max. drive speed (elevated)	0.4 mph
Raise/lower time	18/25 sec
Gradeability	25%
Max. operating slope	2°
Inside turning radius	0 ft
Outside turning radius	4 ft 9 in
Tires	9 in non-marking rubber
Parking brake	2-wheel automatic
Drive system	DC direct drive
Controls	2-axis proportional joystick

POWER	
Power source	2 x 12V 105Ah
Battery charger	100-240V 50/60Hz Auto, 30Amp

WEIGHT	
Weight	1,091 lbs

## TURNING RADIUS



## STANDARD FEATURES

- Highly maneuverable skid steer
- Zero inside turning radius
- Saloon-door style entry gates
- 1 person indoors
- Non-marking tires
- Proportional point & go joystick controls
- Integrated battery charger
- Battery condition indicator
- Crane points & through-the-chassis fork pockets
- Selectable motion alarm
- Tilt & descent alarm
- Hour meter
- Horn
- 2 year parts & labor, 5 year structural warranty
- ANSI compliant

## OPTIONS

- Special paint colors
- Environmental hydraulic oil
- Snorkel OnSite™ telematics

**snorkel** [www.snorkellifts.com](http://www.snorkellifts.com)

P.O. Box 1160  
 St. Joseph, MO 64502-1160, USA  
 Tel: 1 (785) 989-3000  
 Toll-free: 1 (800) 255-0317  
 Fax: 1 (785) 989-3070  
 Email: sales.usa@snorkellifts.com